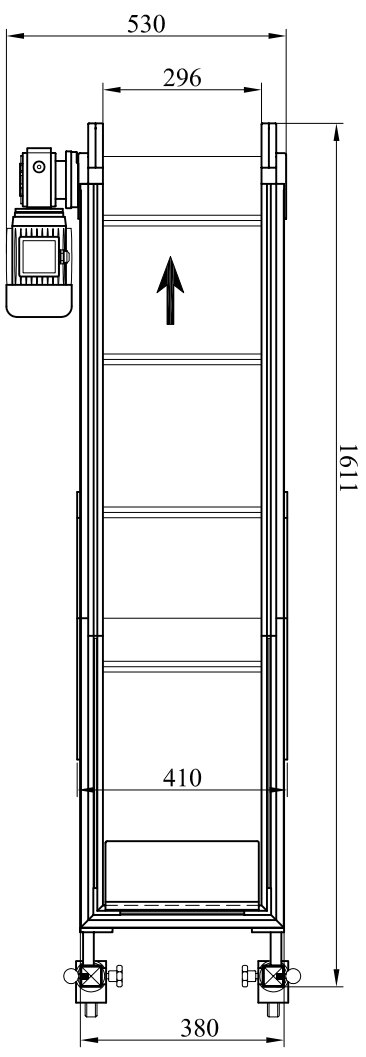
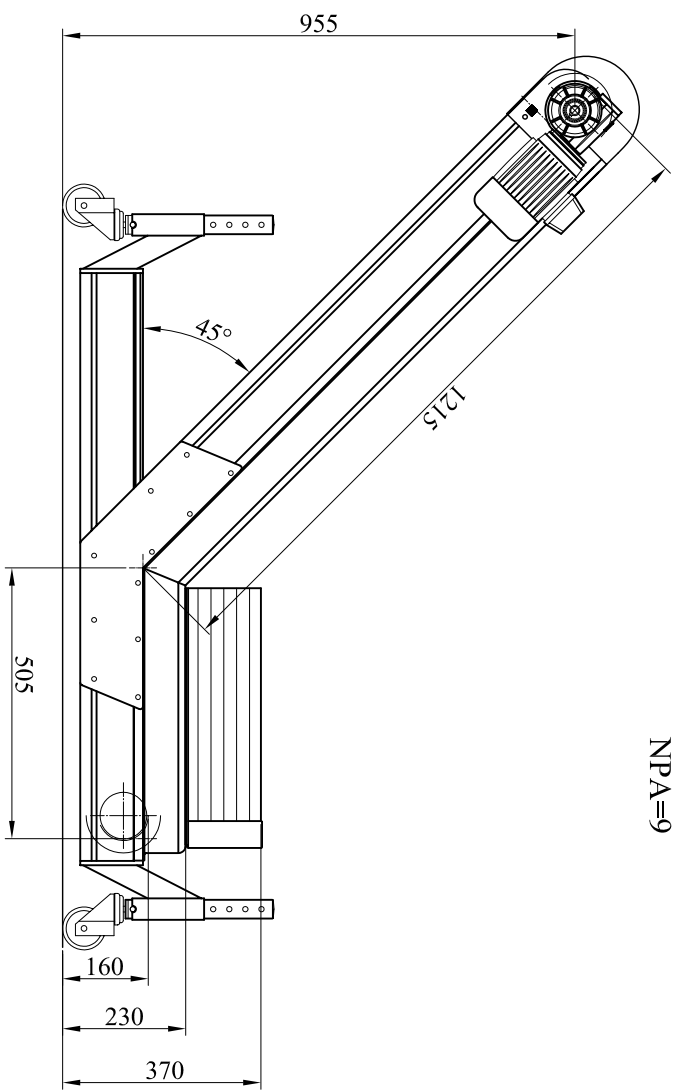


DRAWN BY	CHECKED BY	CUSTOMER:	SCALE:
10/03/2009		<b>EQUIPER</b>	1:25
SIGNAT: <b>Matteo I.</b>		MODEL:	FORMAT:
		<b>Stock Box</b>	A-A3
		DESCRIPTION:	SHEET:
		<b>Vertical stocking system</b>	1 di 1
		DRAWING N°:	
		<b>50572309</b>	

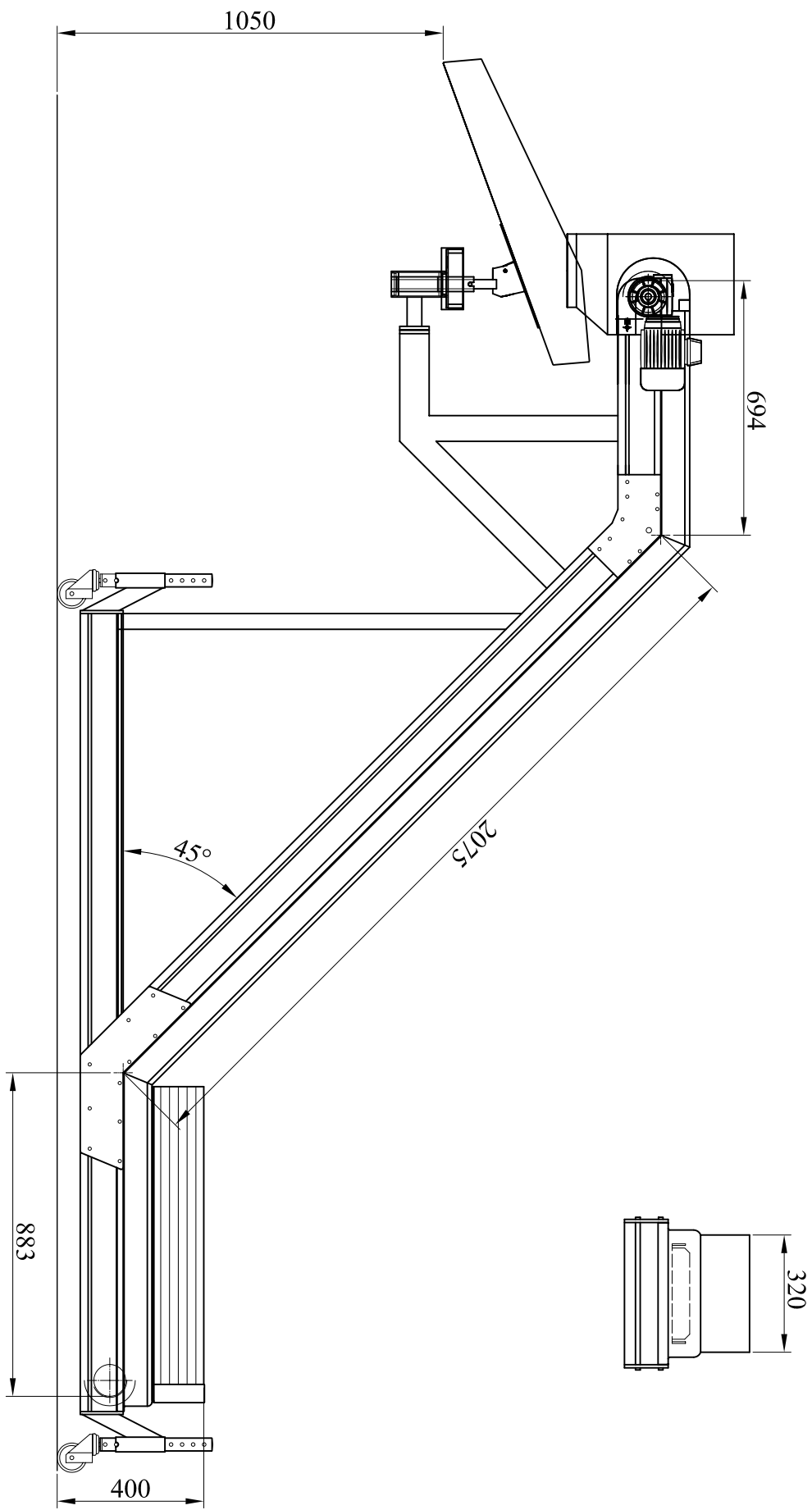

  
 Costruzioni Meccaniche
   
**C.P.I.** S.p.A.
   
 Tel.: 029619951 Fax: 0296199536
   
 www.cpiatspa.it

THIS DRAWING IS EXCLUSIVE PROPERTY. IT MUST NOT BE COPIED AND SHOWN TO ANY OTHER PARTY WITHOUT OUR WRITTEN AUTHORIZATION

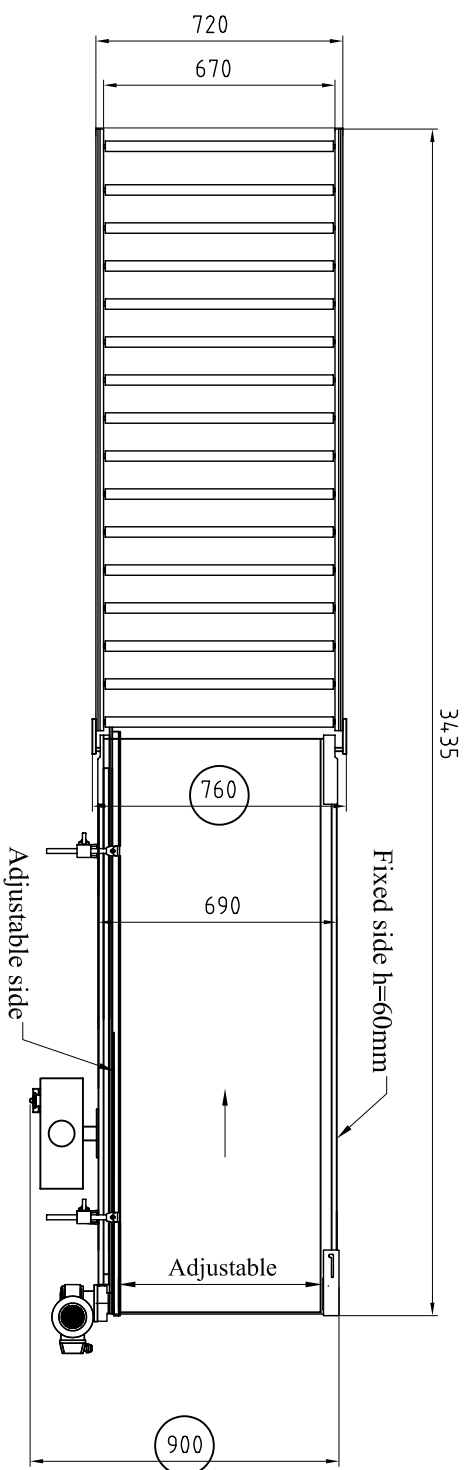
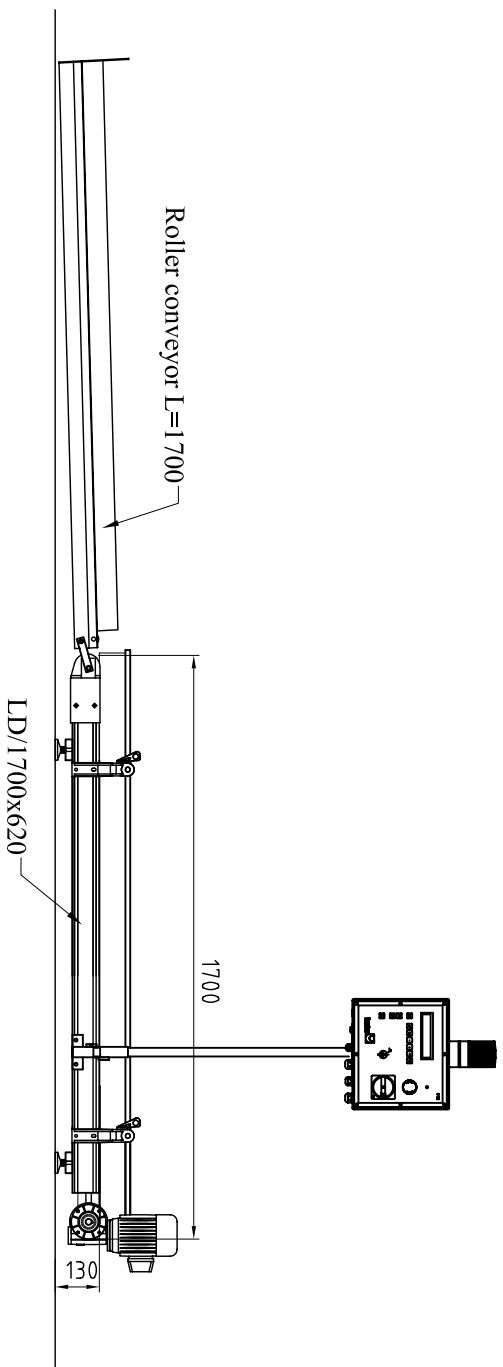
PQ/3 0512  
 PA=380mm (11+1)  
 NPA=9



LIABILITY	DRAWN BY	
SIGNATURE	Mattea I.	
MODEL: PQ/3 0512	N° 47925408	Date : 05-09-2008
CUSTOMER: EQUIPER	ATT. Mr.	Scale
TITILE		
Modular plastic belt		
Costruzioni Meccaniche Crizaf s.p.a. MARK EEC IT IS ABSOLUTELY PROHIBITED EITHER THE REPRODUCTION OR THE COMMUNICATION OF THIS DRAWING TO THIRD PARTS		



LIABILITY	DRAWN BY	
SIGNATURE	Mattea I.	
MODEL: PQ/3 092107	N° 47934208	Date : 05-09-2008
CUSTOMER: EQUIPER	ATT. Mr.	Scale
TITILE		
Modular plastic belt		
<b>Crizaf</b> s.p.a. <small>Costruzioni Meccaniche</small>		
MARK EEC IT IS ABSOLUTELY PROHIBITED EITHER THE REPRODUCTION OR THE COMMUNICATION OF THIS DRAWING TO THIRD PARTS		



DRAWN BY	CHECKED BY	CUSTOMER:	SCALE:
DATE: 27-09-10		<b>EQUIPER</b>	1:15
SIGNAT: Matteo I.		MODEL:	FORMAT:
		LA/1700x620	A-A3



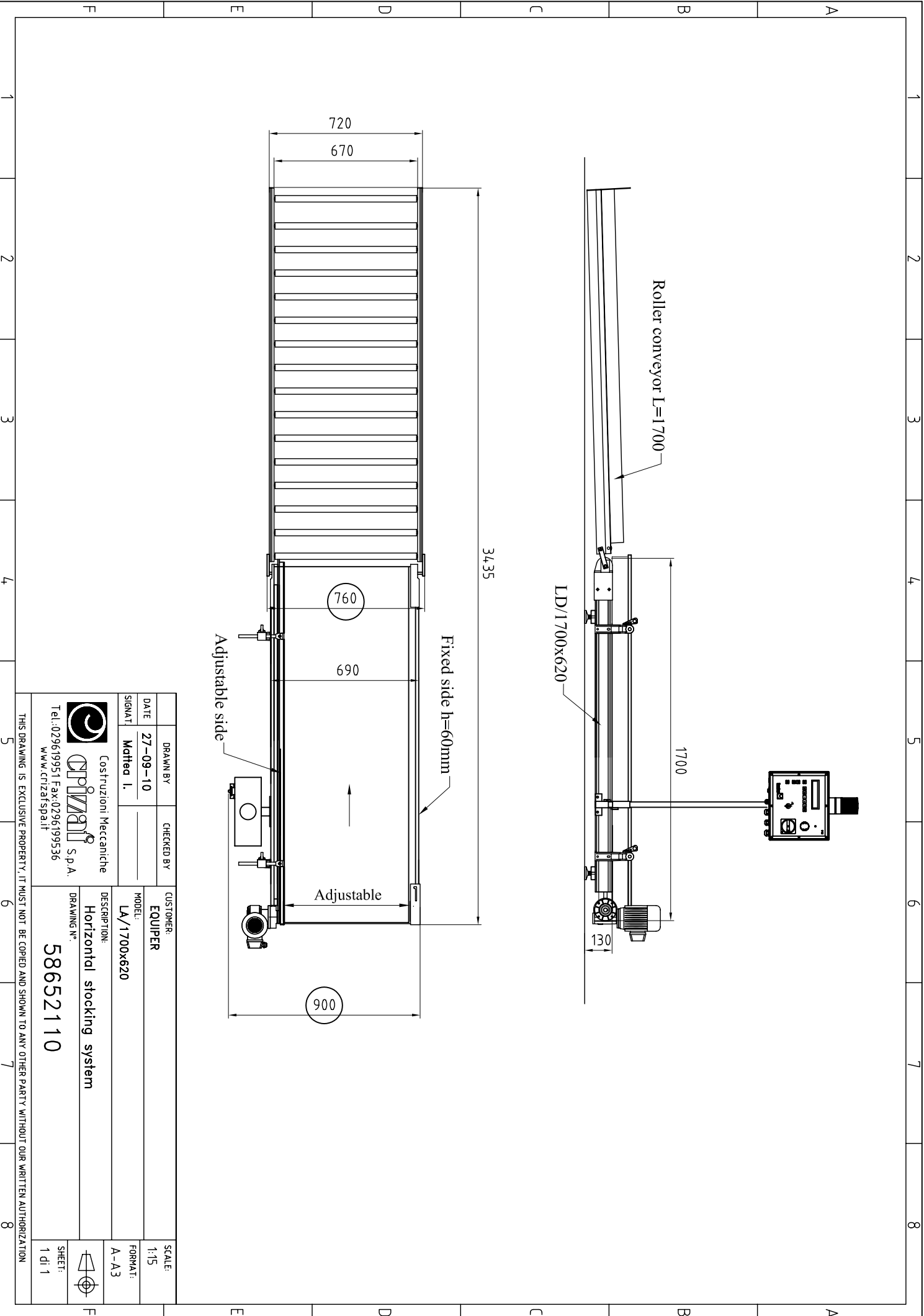
Costruzioni Meccaniche  
**C.P. IZZANI** S.p.A.  
 Tel.: 029619951 Fax: 0296199536  
 www.crizzani.it

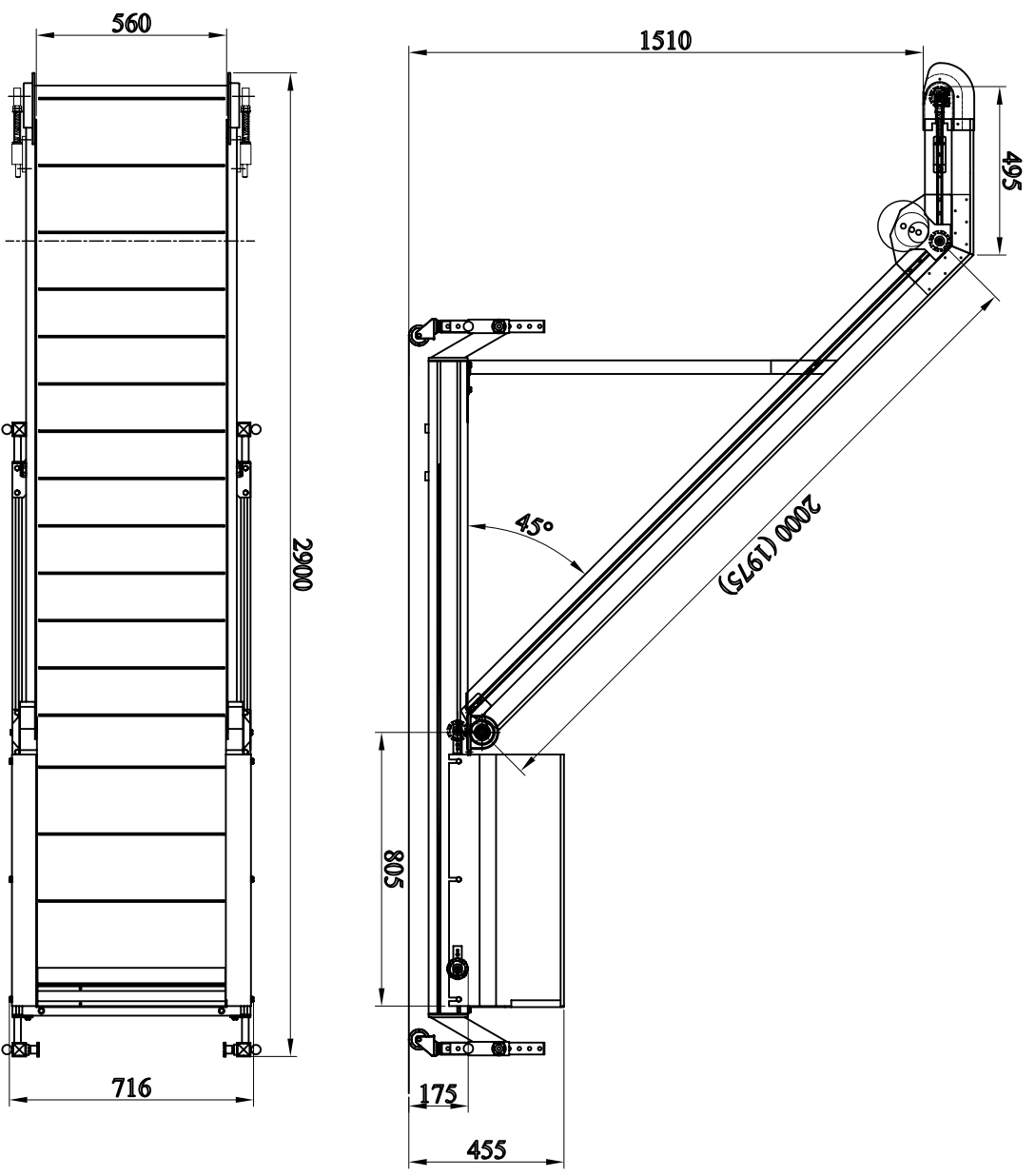
DESCRIPTION:  
**Horizontal stocking system**  
 DRAWING N°:


**58652110**

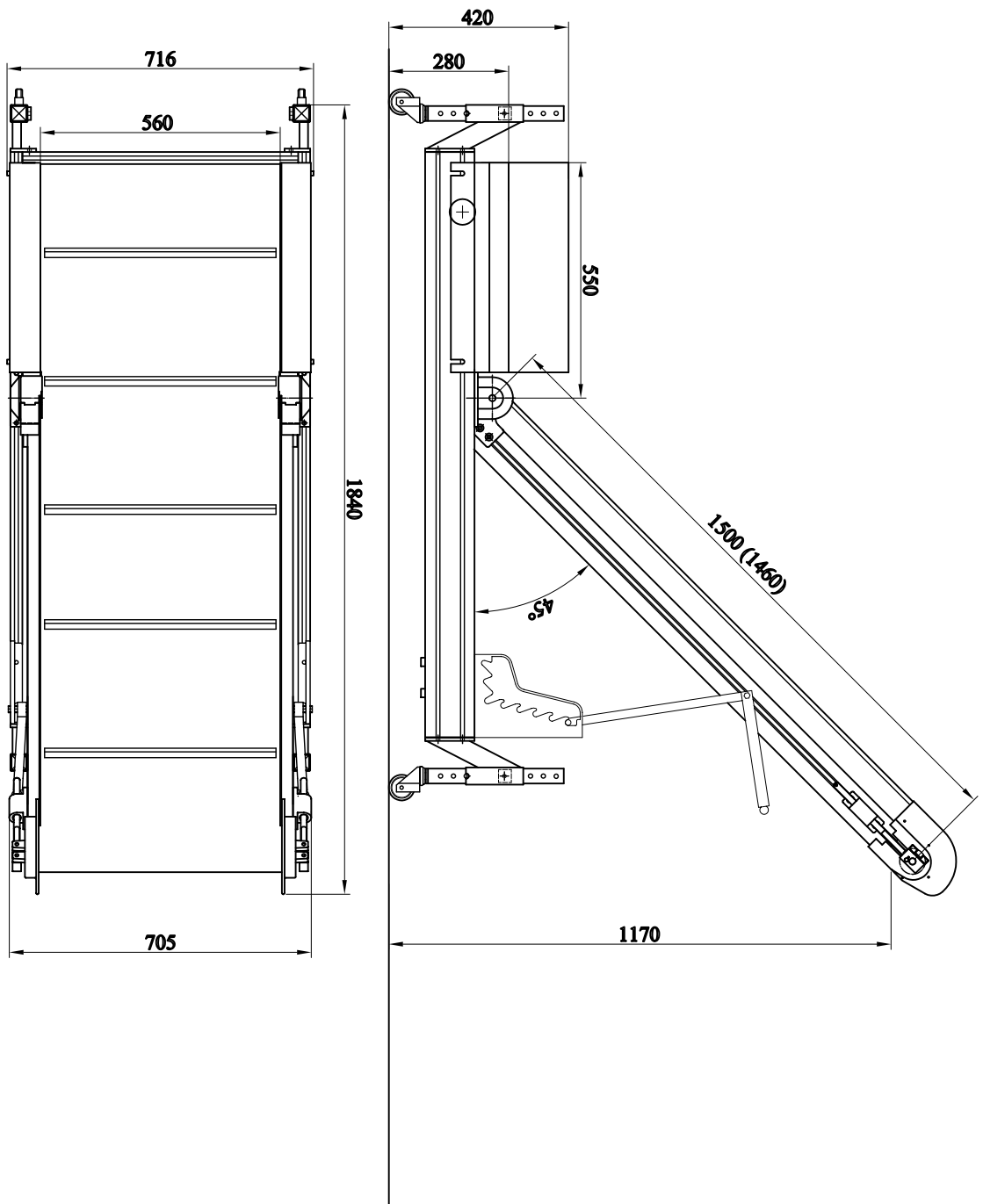
SHEET:  
 1 di 1

THIS DRAWING IS EXCLUSIVE PROPERTY. IT MUST NOT BE COPIED AND SHOWN TO ANY OTHER PARTY WITHOUT OUR WRITTEN AUTHORIZATION





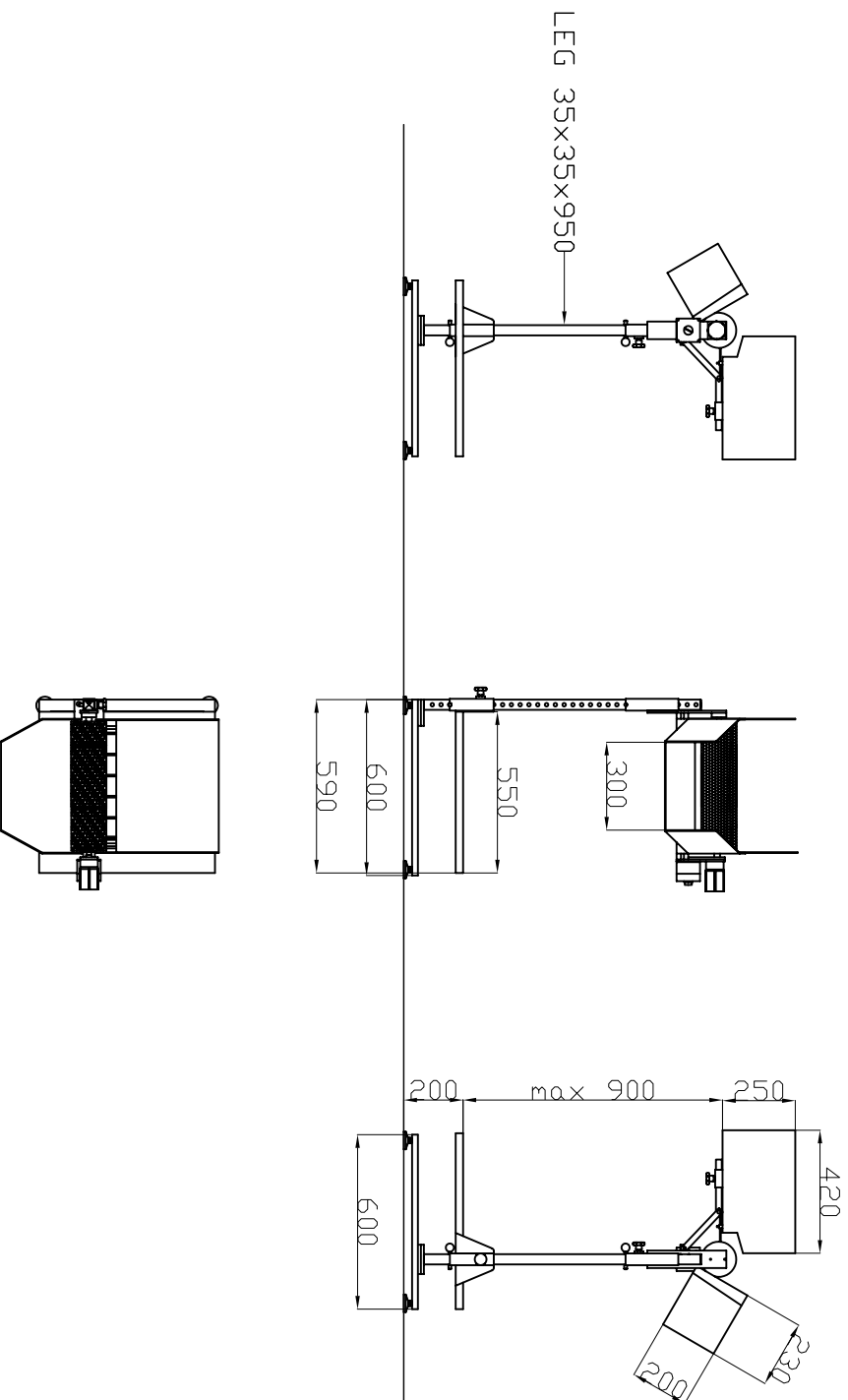
 <b>Crizaf s.p.a.</b> <small>Costruzioni Meccaniche</small>		TITLE _____	
LIABILITY SIGNATURE MODEL: LT/4 082005 CUSTOMER: EQUIPER	DRAWN BY Matteo I.	N° 42800107 ATT. Nr. _____	Date : 19/07/2007 Scale 1: _____
MARK EEC		IT IS ABSOLUTELY PROHIBITED EITHER THE REPRODUCTION OR THE COMMUNICATION OF THIS DRAWING TO THIRD PARTS	



<b>LIABILITY</b>		<b>DRAWN BY</b>	
<b>SIGNATURE</b>		Mattea I.	
<b>MODEL:</b> LTC/4 0615		<b>N°</b> 42790207	<b>Date :</b> / /
<b>CUSTOMER:</b> EQUIPPER		<b>ATT. Nr.</b>	<b>Scale 1:</b>
<b>TITLE</b>			



MARK EEC IT IS ABSOLUTELY PROHIBITED EITHER THE REPRODUCTION OR THE COMMUNICATION OF THIS DRAWING TO THIRD PARTS



LIABILITY	DRAWN BY	CHECKED BY	
SIGNATURE	L. Cribidi	L. Cribidi	
MODEL: SC1R	Dw.n.:	Date : 06/10/2003	Scale 1:15   A3
Customer: P & C	TITLE:		Attn. Mister
<b>Cribidi</b> S.p.A. Costruzioni Meccaniche			
MARK EEC	IT IS ABSOLUTELY PROHIBITED EITHER THE REPRODUCTION OR THE COMMUNICATION OF THIS DRAWING TO THIRD PARTS		