



Deumidificatori serie DW60-200 DW60-200 dessicant dryers

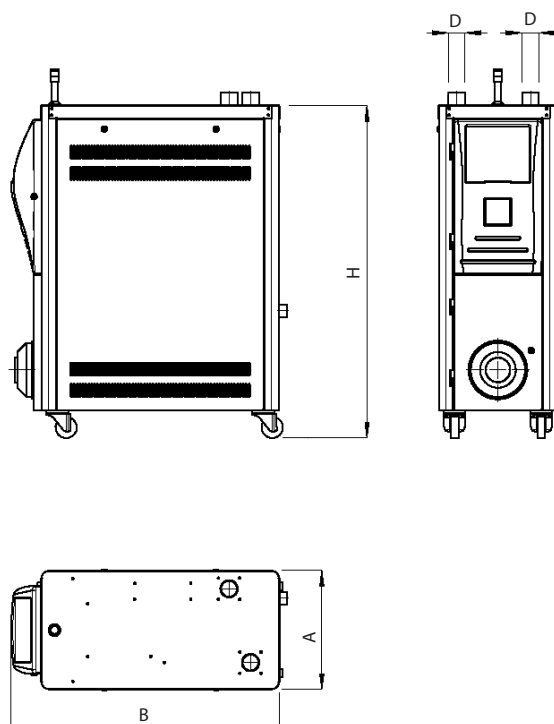


Caratteristiche Tecniche - Technical Specifications

			DW60	DW100	DW160	DW200
Portata aria/Air flow		m ³ /h	60	100	160	200
Temperatura processo/Process temperature	MT	C	70-150	70-150	70-150	70-150
	HT	C	70-190	70-190	70-190	70-190
Dew point		C	-50	-50	-50	-50
Pressione statica/Static pressure		mbar	150	135	130	150
Pot. soff. proc./Blow. power of proc.		kW	0.4	0.75	1.1	1.6
Pot. soff. rigen./Blow. power of regen.		kW	0.2	0.2	0.4	0.4
Potenza riscald. proc. / Power heating process	MT/HT	kW	2 / (NO)	3.5 / 5	5 / 9	9 / 9
		kW	2	2	3.5	3.5
Potenza tot. installata / Installed power total	MT/HT	kW	4.6 / (NO)	6.45 / 7.95	10 / 14	14.5 / 14.5
Tensione/Voltage		V/Hz	400/50-60	400/50-60	400/50-60	400/50-60
Peso/Weight		kg	140	150	175	185



Deumidificatori serie DW60-200 DW60-200 dessicant dryers



Abbinamenti - Combinations

	DW60	DW100	DW160	DW200
H75	-			
H100	-			
H150		-		
H200		-		
H300			-	
H400			-	-
H600				-

Dimensioni - Dimensions

		DW60	DW100	DW160	DW200
A	mm	450	450	450	450
B	mm	1013	1013	1013	1013
H	mm	1256	1256	1256	1256
D	mm	50	63.5	63.5	63.5



Deumidificatori serie D800-D805 D800-D805 dessicant dryers

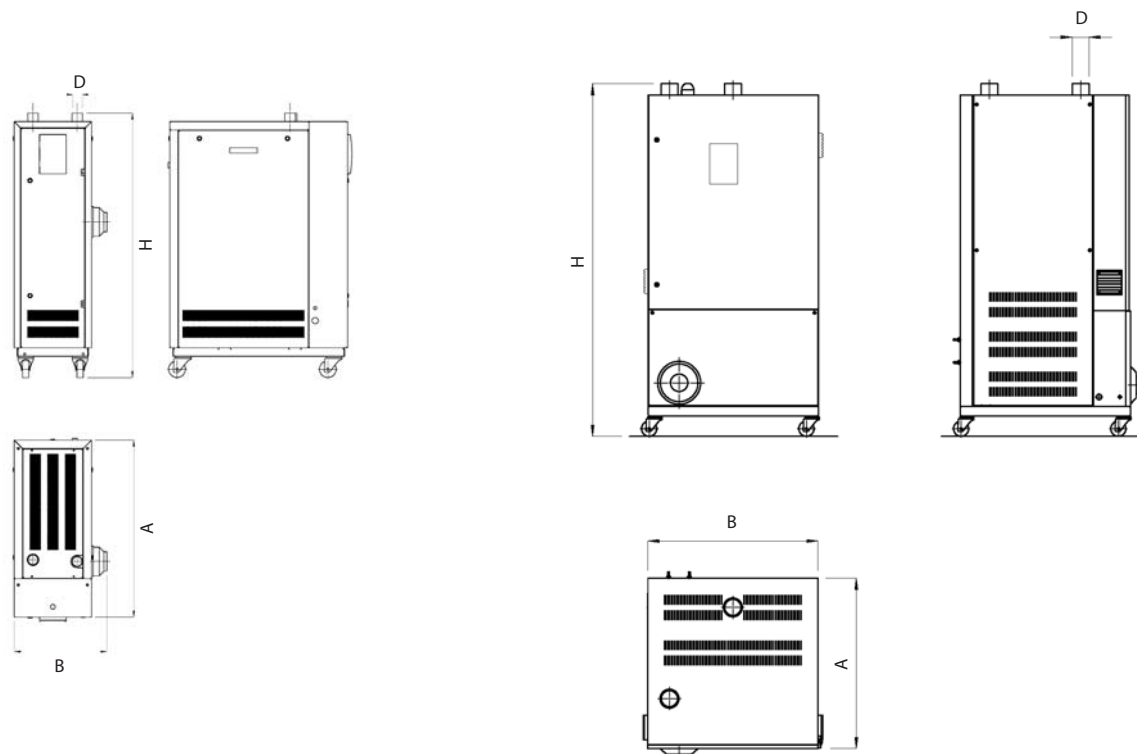


Caratteristiche Tecniche - Technical Specifications

			D800	D801	D802	D803	D804	D805
Portata aria/Air flow		m ³ /h	80	120	150	300	400	500
Temperatura processo/Process temperature	MT	C	70-150	70-150	70-150	70-150	70-150	70-150
	HT	C	70-190	70-190	70-190	70-190	70-190	70-190
Dew point		C	-50	-50	-50	-50	-50	-50
Pressione statica/Static pressure		mbar	160	170	150	250	200	250
Pot. soff. proc./Blow. power of proc.		kW	0.75	1.3	1.6	3	4	5.5
Pot. soff. rigen./Blow. power of regen.		kW	NO	NO	NO	NO	NO	NO
Potenza riscald. proc. / Power heating process	MT/HT	kW	2/3.5	3.5/5	3.5/5	7.2/10.8	10.8/14.4	14.4/ 8
Pot. risc. rigen./Power heating regen.		kW	1.5	1.5	2	3.5	5	5
Potenza tot. installata / Installed power total	MT/HT	kW	4.25/5.25	6.3/7.8	7.1/8.6	13.9/17.5	19.8/23.4	24.9/28.5
Tensione/Voltage		V/Hz	400/50-60	400/50-60	400/50-60	400/50-60	400/50-60	400/50-60
Peso/Weight		kg	110	120	135	330	350	370



Deumidificatori serie D800-D805 D800-D805 dessicant dryers



Abbinamenti - Combinations

	D800	D801	D802	D803	D804	D805
H100	-					
H150	-	-				
H200		-				
H300			-			
H400			-			
H600				-		
H800				-	-	
H1200					-	-
H1500						-

Dimensioni - Dimensions

	D800	D801	D802	D803	D804	D805
A mm	850	850	850	900	900	900
B mm	443	443	443	900	900	900
H mm	1269	1269	1269	1800	1800	1800
D mm	50	50	50	63	89	89



Deumidificatori serie D803P-D840P D803P-D840P dessicant dryers



Caratteristiche Tecniche - Technical Specifications

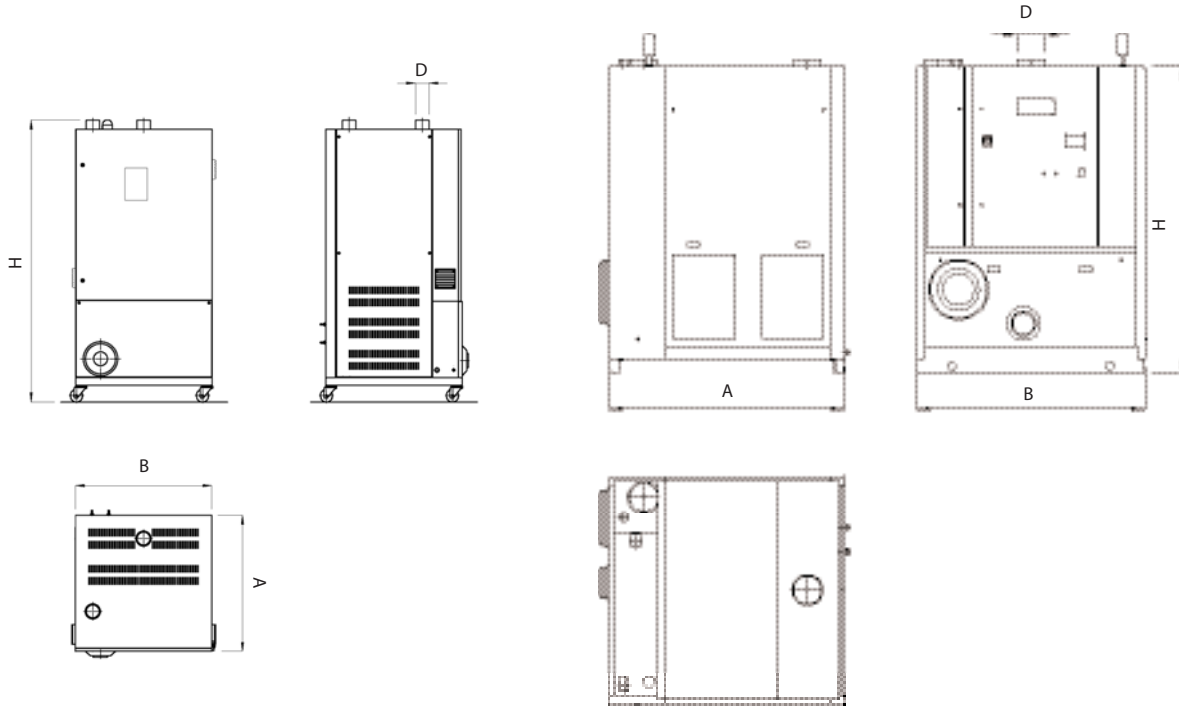
			D803P	D804P	D805P	D806P	D808P	D810P
Portata aria/Air flow		m ³ /h	300	400	500	600	750	1000
Temperatura processo/Process temperature	MT	C	70-150	70-150	70-150	70-150	70-150	70-150
	HT	C	70-190	70-190	70-190	70-190	70-190	70-190
Dew point		C	-50	-50	-50	-50	-50	-50
Pressione statica/Static pressure		mbar	250	200	250	250	250	200
Pot. soff. proc./Blow. power of proc.		kW	3	4	5.5	5.5	7.5	8.5
Pot. soff. rigen./Blow. power of regen.		kW	0.2	0.4	0.4	0.85	0.85	0.85
Potenza riscald. proc. / Power heating process	MT/HT	kW	7.2/10.8	10.8/14.4	14.4/18	18/24	24/30	30/36
		kW	3.5	5	5	12	12	12
Potenza tot. installata / Installed power total	MT/HT	kW	13.9/17.5	19.8/23.4	24.9/28.5	36.4/42.4	44.4/50.4	51.4/57.4
Tensione/Voltage		V/Hz	400/50-60	400/50-60	400/50-60	400/50-60	400/50-60	400/50-60
Peso/Weight		kg	330	350	370	1300	1330	1400

			D815P	D818P	D820P	D824P	D830P	D840P
Portata aria/Air flow		m ³ /h	1350	1450	2000	2200	2500	2800
Temperatura processo/Process temperature	MT	C	70-150	70-150	70-150	70-150	70-150	70-150
	HT	C	70-190	70-190	70-190	70-190	70-190	70-190
Dew point		C	-50	-50	-50	-50	-50	-50
Pressione statica/Static pressure		mbar	200	200	200	200	200	200
Pot. soff. proc./Blow. power of proc.		kW	12.5	15	18	12.5+12.5	15+15	18+18
Pot. soff. rigen./Blow. power of regen.		kW	1.5	1.5	4	4	4	4
Potenza riscald. proc. / Power heating process	NT/MT/HT	kW	40.5/50	40.5/54	NO/67.5	NO/81	NO/81	NO/108
		kW	18	18	24	24	24	24
Potenza tot. installata / Installed power total	NT/MT/HT	kW	72.5/86	75/88.5	NO/113.5	NO/134	NO/139	NO/172
Tensione/Voltage		V/Hz	400/50-60	400/50-60	400/50-60	400/50-60	400/50-60	400/50-60
Peso/Weight		kg	1450	1500	1650	1700	2000	2150

*Quadro elettrico controllo e potenza della camera di processo separato dal deumidificatore / Electrical cabinet and power supply for process heating booster separated from the dryer



Deumidificatori serie D803P-D840P D803P-D840P dessicant dryers



Abbinamenti - Combinations

	D803P	D804P	D805P	D806P	D808P	D810P	D815P	D818P	D820P	D824P	D830P	D840P				
H600	-															
H800	-															
H1200		-														
H1500			-													
H2000				-												
H2500					-											
H3000						-										
H3500							-									
H4000								-								
H4500									-							
H5000										-						
H5500											-					
H6000												-				
H7000													-			
H8000														-		
H9000															-	
H10000																-

Dimensioni - Dimensions

		D803P	D804P	D805P	D806P	D808P	D810P	D815P	D818P	D820P	D824P	D830P	D840P
A	mm	900	900	900	1850	1850	1850	1850	1850	1700	1700	1700	1700
B	mm	900	900	900	1210	1210	1210	1210	1210	1650	1650	1650	1650
H	mm	1800	1800	1800	2180	2180	2180	2180	2180	2220	2220	2220	2220
D	mm	63	89	89	150	150	150	150	150	203	203	250	250