



Contenitori Trifase serie LDM-TMM

Three phase LDM-TMM Containers



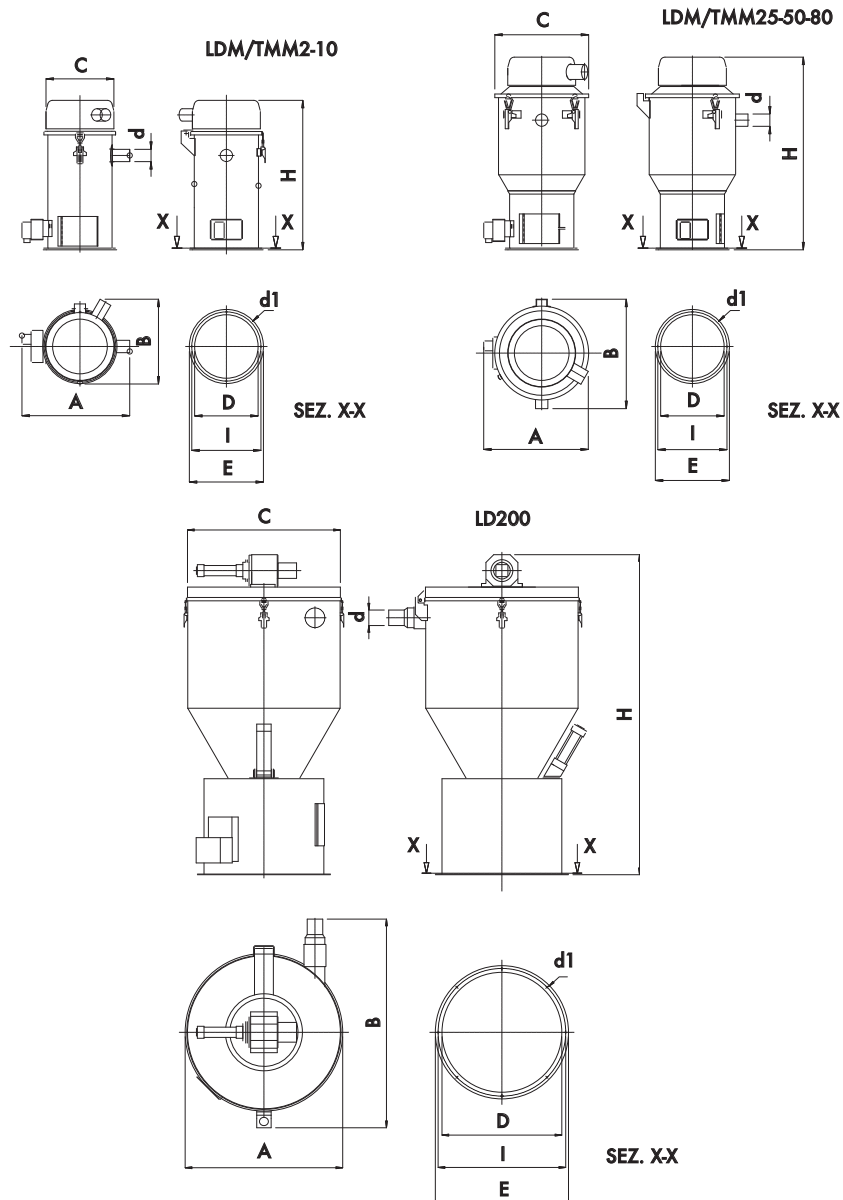
Caratteristiche Tecniche - Technical Specifications

		LDM2	LDM4	LDM5	LDM10	LDM25	LDM50	LDM80	LD200
		TMM2	TMM4	TMM5	TMM10	TMM25	TMM50	TMM80	
Capacità/Capacity	dm ³	2	4	5	10	25	50	80	200
Alimentazione/Feeding	Volt	24 dc	24 dc	24 dc	24 dc	24 dc	24 dc	24 dc	24 dc
Peso/Weight	kg	7	8	10	12	15	17	20	110



Contenitori Trifase serie LDM-TMM

Three phase LDM-TMM Containers



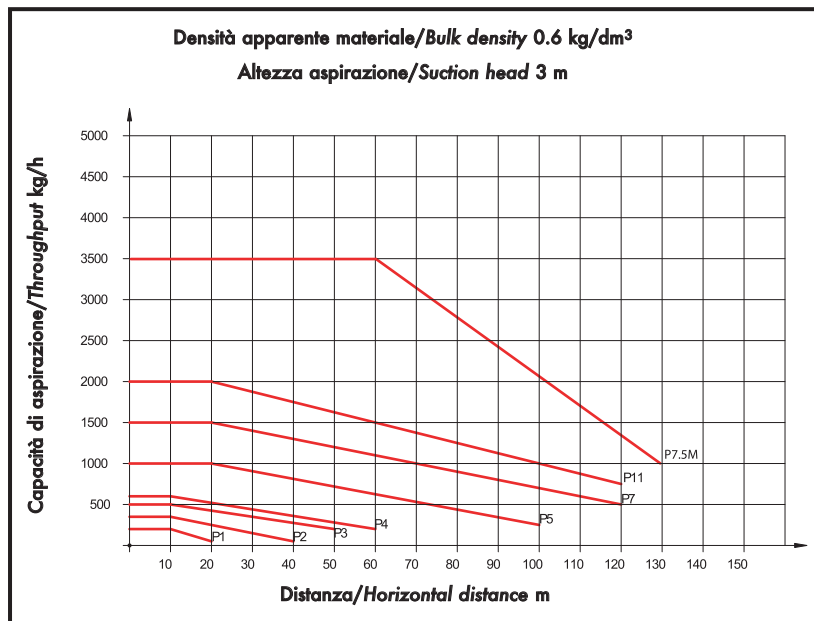
Dimensioni - Dimensions

		LDM2	LDM4	LDM5	LDM10	LDM25	LDM50	LDM80	LD200
		TMM2	TMM4	TMM5	TMM10	TMM25	TMM50	TMM80	
A	mm	330	330	436	436	425	425	425	940
B	mm	270	270	343	343	443	443	443	715
H	mm	370	450	470	605	780	950	1250	1910
d	mm	40	40	40	40	50/60	60/70	60/70	70/89
C	mm	220	220	275	275	380	380	380	690
D	mm	190	190	255	255	255	255	355	540
E	mm	230	230	300	300	300	300	300	600
I	mm	210	210	280	280	280	280	280	575
d 1 (N° x Ø)	mm	8x7	8x7	8x7	8x7	8x7	8x7	8x7	8x9



Soffiante del vuoto per alimentatori individuali trifase serie PD

Three phase PD blowers for individual loaders



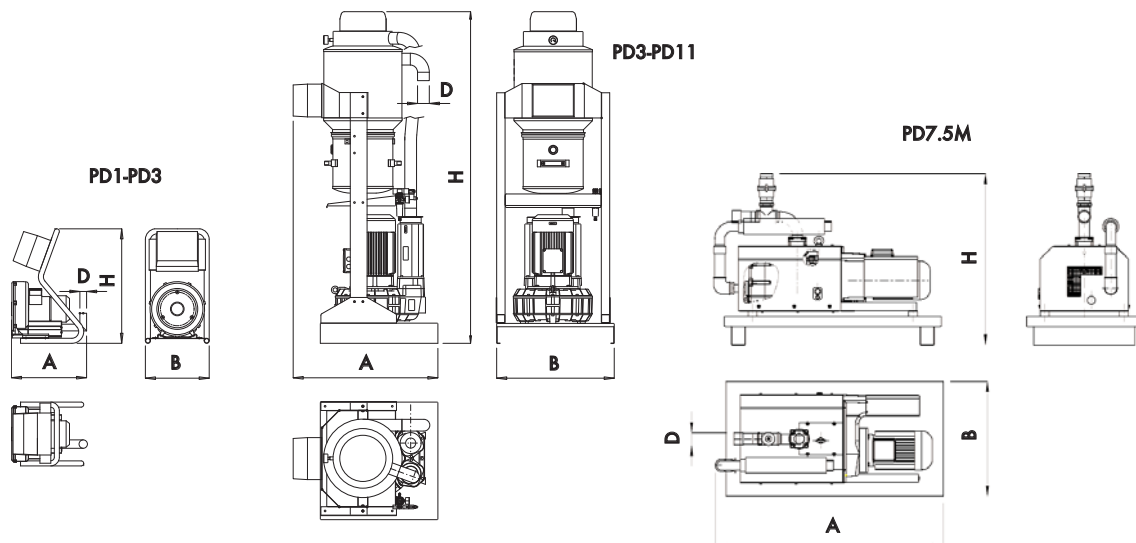
Caratteristiche Tecniche - Technical Specifications

		PD1	PD2	PD3	PD4	PD5	PD7	PD11	PD7.5M
Aspir./Max. capacity	kg/h	200	350	500	600	1000	1500	2000	3000
Pot./Motor pow.	kW	0,9	1,5	3	4	5,5	7,5	11	7.5
Depres./Depres.	mbar	160	200	260	430	430	430	430	800
Rumoros./Noise level	dB(A)	70	70	70	75	75	80	80	82
Peso/Weight	kg	30	40	60	135	190	210	230	340
Volt.-Freq./Volt.-Freq.	V/Hz	400/50-60	400/50-60	400/50-60	400/50-60	400/50-60	400/50-60	400/50-60	400/50-60
Ø Linea Vuoto-mat./Vac. line Ø	mm	40	40	50	50	50/60	60	70	70/89



Soffiante del vuoto per alimentatori individuali trifase serie PD

Three phase PD blowers for individual loaders



Abbinamenti - Combinations

Soffianti del vuoto/Blowers Filtri/Filters	PD1	PD2	PD3	PD4	PD5	PD7	PD11	PD7.5M
FZ1	•	•	•					
FC1		•	•					
FC2			•	•				
FC3					•	•	•	
FC4							(•)	•

Soffianti del vuoto/Blowers Contenitori trifase/Three-phase containers	PD1	PD2	PD3	PD4	PD5	PD7	PD11	PD7.5M
LDM2	•							
LDM4	•							
LDM5	•	•						
LDM10	•	•						
LDM25		•	•	•	•	•	•	•
LDM50			•	•	•	•	•	•
LDM80							•	•
LD200								•

Dimensioni - Dimensions

		P1	P2	P3	P4	P5	P7	P11	P7.5M
A	mm	414	454	488-862	862	862	862	862	1289
B	mm	380	380	380-700	700	700	700	700	650
H	mm	682	682	682-1975	1975	1975	1975	2025	970
D	mm	40	40	50	50	50/60	60	70	70/89



Filtri per alimentatori trifasi individuali

Filters for three phase individual loaders



FC2

FC3

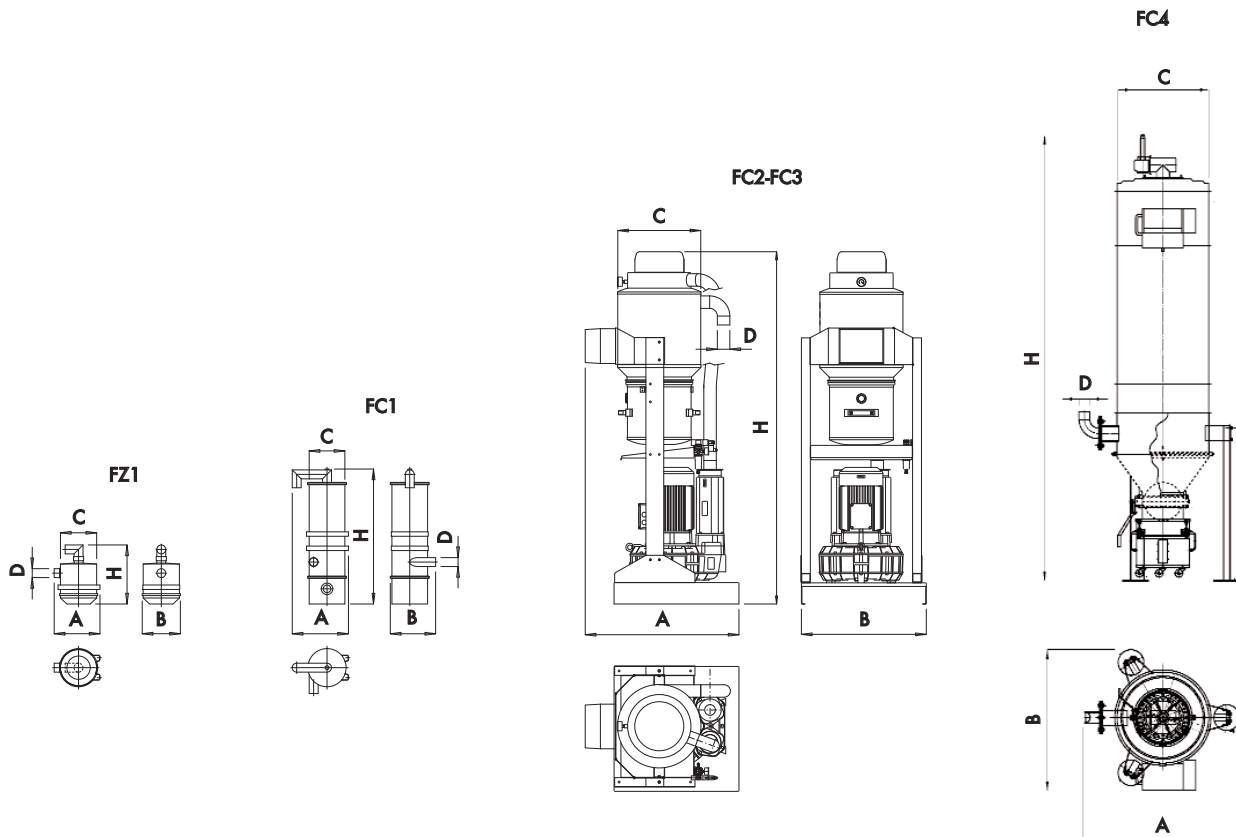
Caratteristiche Tecniche - Technical Specifications

		FZ1	FC1	FC2	FC3	FC4
Sup. filtrante/Filt. surf.	m ²	1,8	2,9	6,7	11	13
Grado di filtraz./Filt. degr.	µm	8	8	8	8	8
Tipo di pulizia/Clean type		Manuale/Manual		Autopulente/Self-cleaning		
Ø Attacco/Connect. Ø	mm	40/50	40/50	40/50	50/60/70	70/89



Filtri per alimentatori trifasi individuali

Filters for three phase individual loaders



Abbinamenti - Combinations

Soffianti del vuoto/Blowers Filtri/Filters	P1	P2	P3	P4	P5	P7	P11	P15
FZ1	•	•	•					
FC1		•	•					
FC2			•	•				
FC3					•	•	•	
FC4								•

Dimensioni - Dimensions

		FZ1	FC1	FC2	FC3	FC4
A	mm	257	315	862	862	929
B	mm	214	254	700	700	868
H	mm	331	757	1975	1975	2855
H	mm	203	200	360	465	478
D	mm	40/50	40/50	40/50	50/60/70	70/89